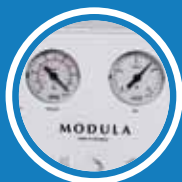


MODULA EUROPA

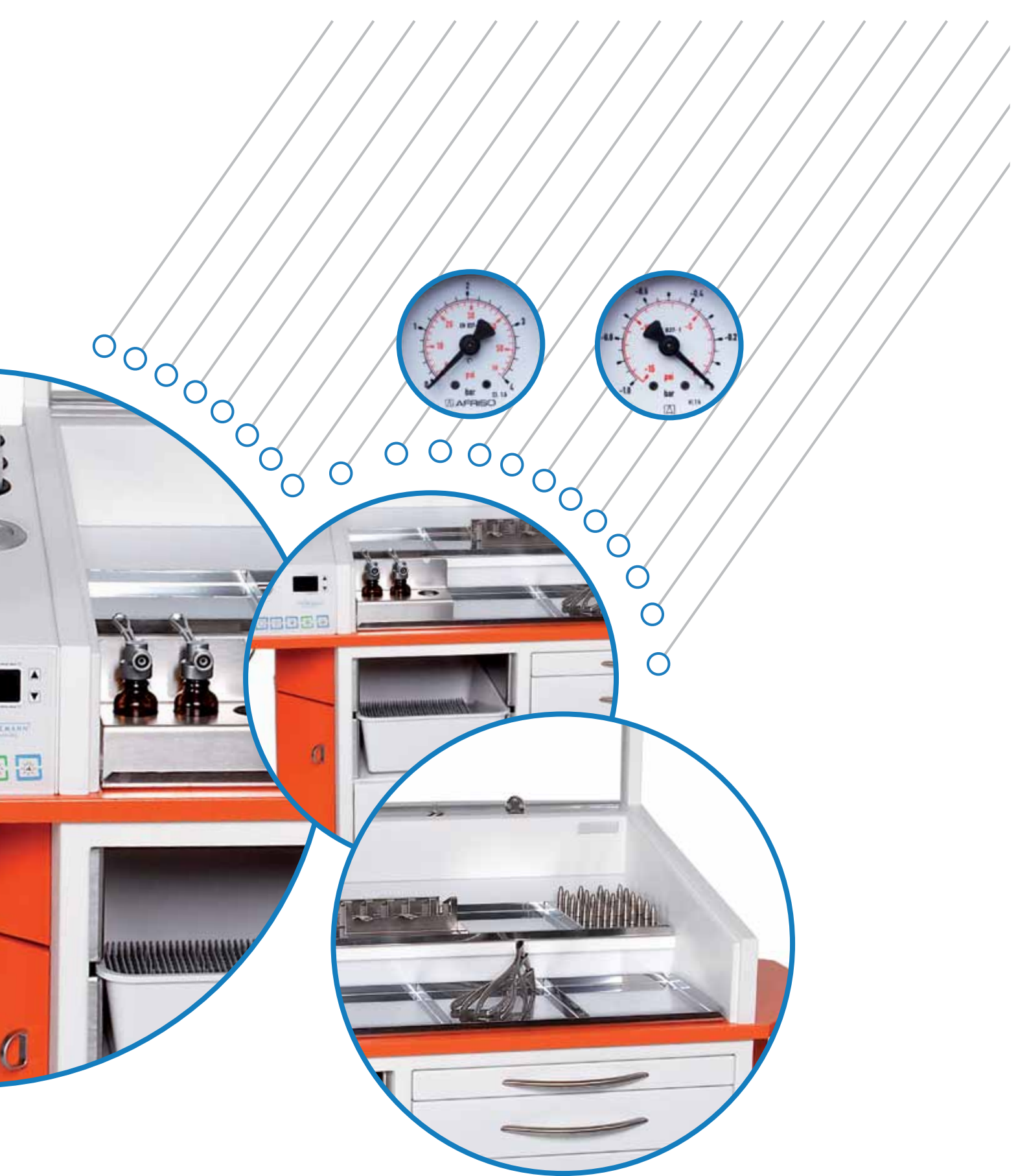
- Reliable
- Easy handling
- A good placement



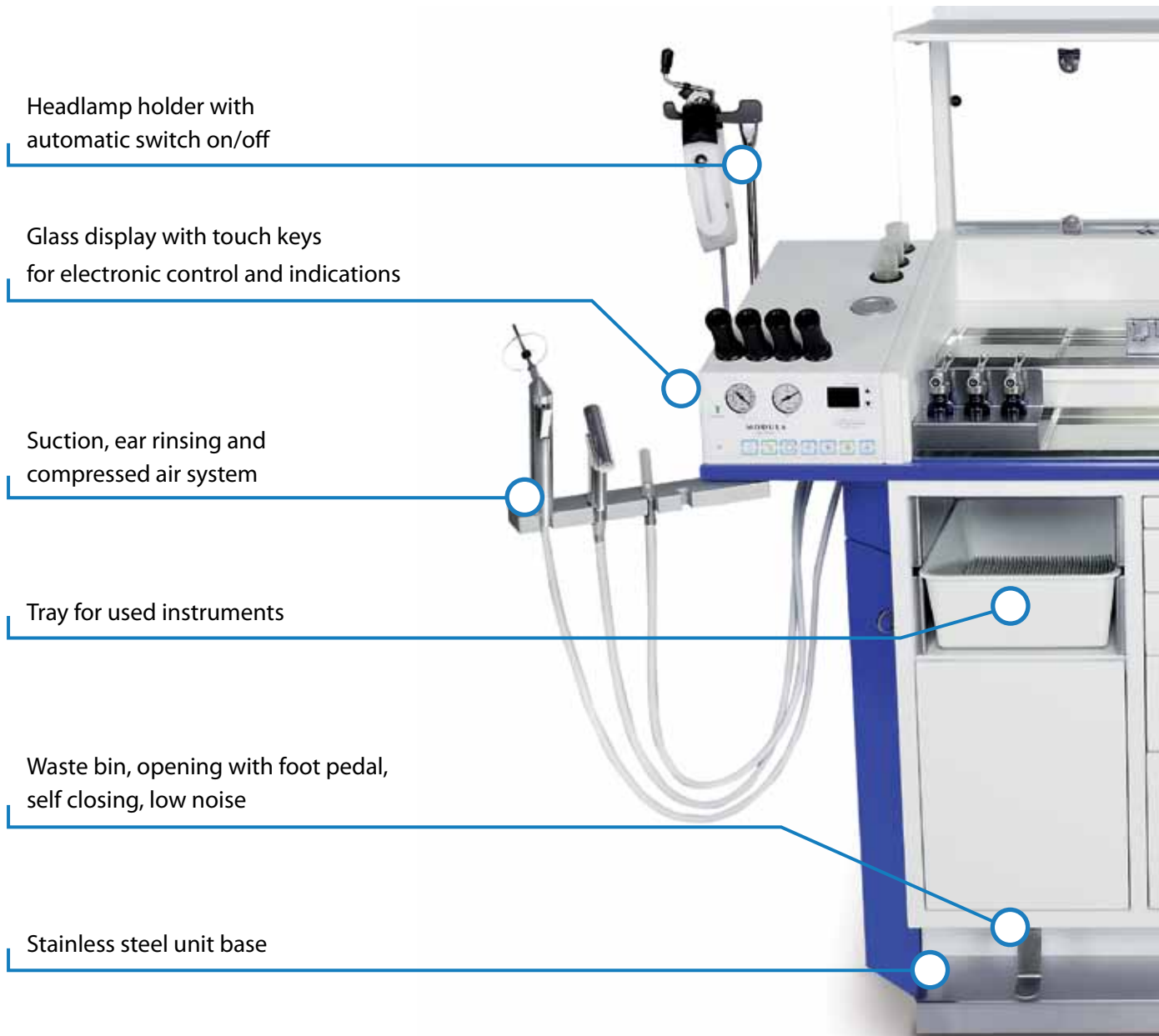
Perfection is attained, not when
no more can be added,
but when no more can be removed.

(Antoine de Saint-Exupéry, Terre des Hommes)





Ergonomic Design & Reliability



Headlamp holder with automatic switch on/off

Glass display with touch keys for electronic control and indications

Suction, ear rinsing and compressed air system

Tray for used instruments

Waste bin, opening with foot pedal, self closing, low noise

Stainless steel unit base

MODULA Europa – easy maintenance, high quality, functionality

MODULA Europa – our “best seller”-designed for hospitals and clinics for many patients. The design of the unit reflects the optimal solution of ergonomic and practice oriented aspects, with the result of a tidy workplace. An extension up to 4 LED cold

light sources, additional accessories as of automatic secretion system, hose cleaning devices etc., will meet any individual demand. The treatment unit MODULA Europa offers the optimal size for placing additional devices and spaces enough for

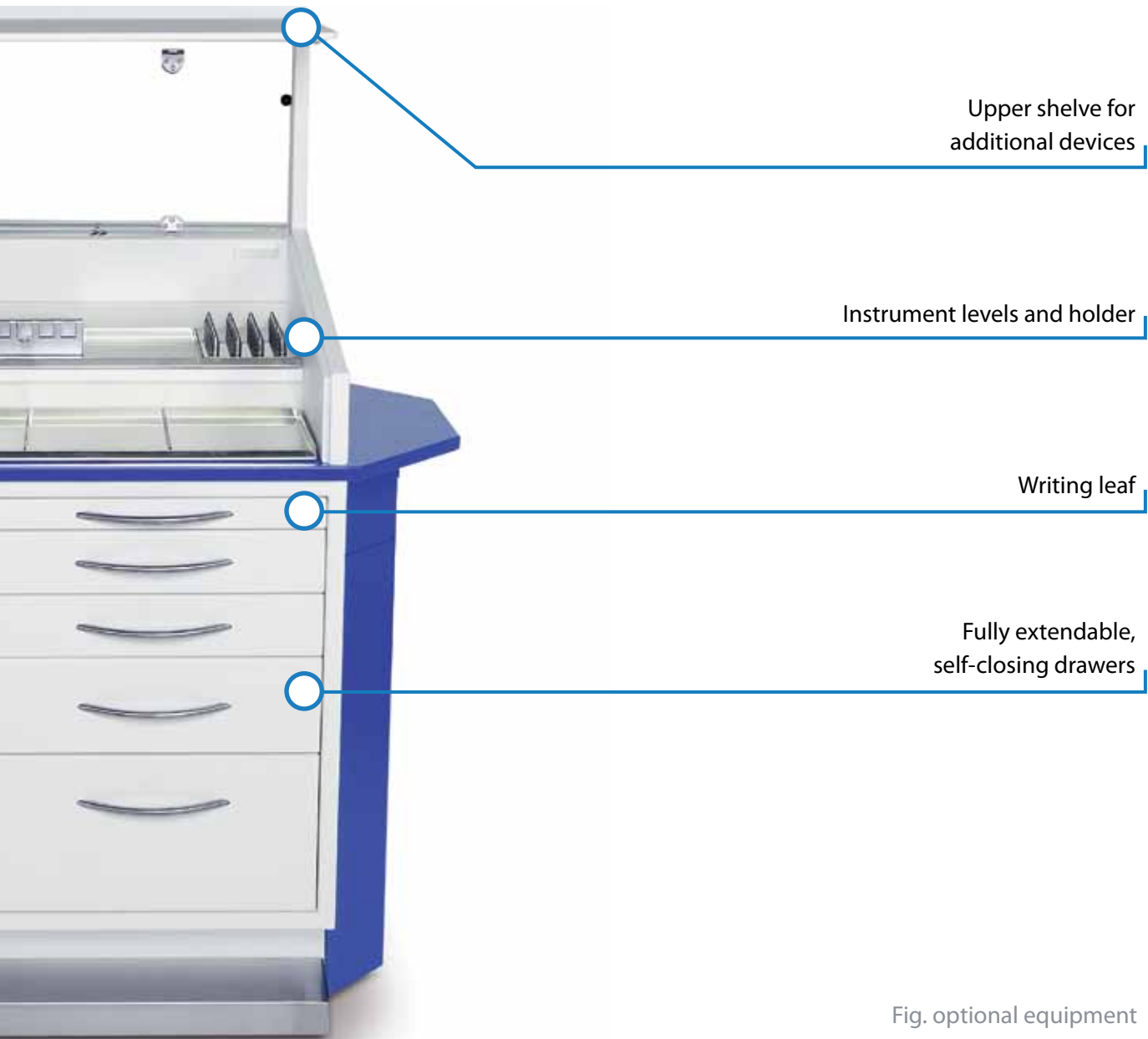


Fig. optional equipment

a number of sterile instruments. All drawers are equipped with with a self-closing mechanism, instruments can be stored up to three levels. Diagnostic microscope, swivel arm or TFT monitor can be also attached to the treatment unit. An upper shelf is also

available, if required. Mobile instrument cabinets are also available, in different sizes but in the same design.

Equipment & Colors



Standard equipment

- High quality electrolytic zincplated steel cabinet with soundproofing
- Extremely hard wearing with enamel finish with corrosion-resistant pretreatment
- Mobile on antistatic heavy duty castors
- Electronic control and indication panel: glass display with 7 different function keys, 2 manometers (compressed air and vacuum)
- Swiveling holder for water handpiece, suction hose, compressed air handpiece
- Holder for headlamp (not switchable)
- Integrated mirror heater
- 4 fully extendable, self-closing drawers
- Writing leaf
- 3 removable disinfection quivers for rigid endoscopes, autoclavable
- Instruments on 2 levels with stainless steel trays
- Built-in illumination for instrument levels
- Melamin tray for used instruments
- Waste bin, opening with foot pedal, self closing, low noise
- Transparent acrylic top cover, storable behind the unit after opening



Standard colors (antimicrobial coating with fine structure)



RAL 1001
Beige



RAL 1013
Oyster white



RAL 1028
Melon yellow



RAL 3004
Purple red



RAL 3020
Traffic red



RAL 5003
Sapphire blue



RAL 5010
Gentian blue



RAL 5014
Pigeon blue



RAL 5018
Turquoise blue



RAL 5024
Pastel blue



RAL 6029
Mint green



RAL 6034
Pastel turquoise



RAL 7016
Anthracite grey



RAL 7032
Pebble grey



RAL 7035
Light grey



RAL 7044
Silk grey



RAL 7045
Telegrey 1

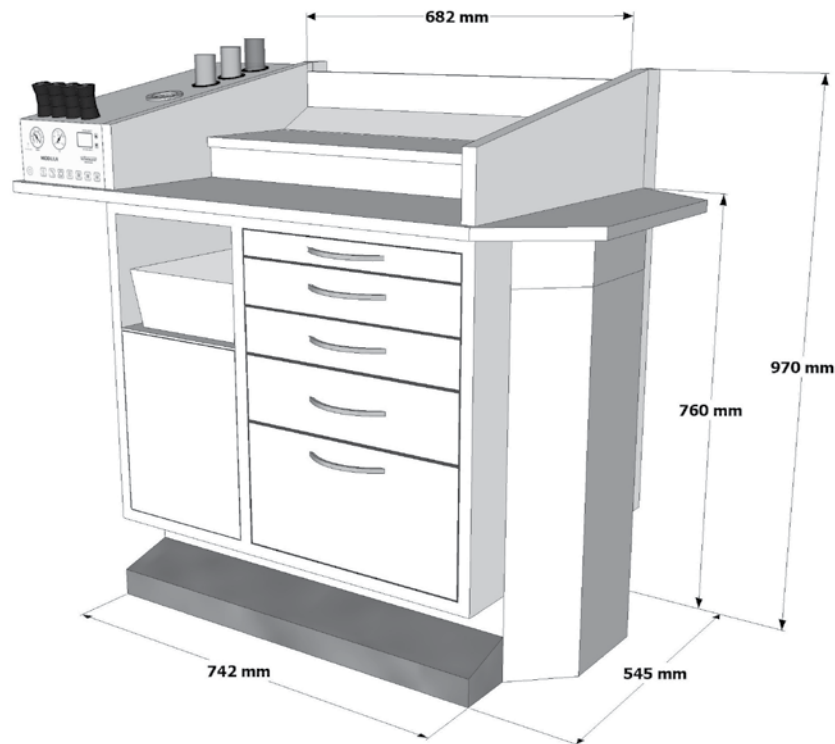


RAL 9010
Pure white



RAL 9016
Traffic white

Technical Details*



*(subject to modifications)

Power supply:	220 V
Frequency:	50/ 60 Hz
Current consumption:	max. 10 A
Power consumption:	max. 2,3 kVA
Classification:	Ila
CE-Sign:	MEDCERT 0482
Protection class:	I
Degree of protection:	B
Compressed air (option):	12 L/min at 2700 RPM and 138 VA, 0,2 to 2,5 bar adjustable (option)
Powered suction (option):	Oil-free vacuum pump (150 VA): suction performance 40 l/min, 0 to -0,85 bar, sensor switch for suction hose, electronic and mechanical safety overflow system with antibacterial filter
Ear rinsing system (option):	+37° C +/-1° C, max. 500 ml/min, max. 1500 VA (long-term usage)
Autonomous ear rinsing system (option):	+37° C +/-1° C, max. 500 ml/min, max. 550 VA (long-term usage)
Watertank (option):	5 liter
Weight:	approx. 160 kg
Ambient temperature:	Temp. +15° C to +35° C

Contact

G. Heinemann Medizintechnik GmbH

Leibnizstraße 13-15

24568 Kaltenkirchen

Germany

Phone: +49 (0)4191 - 95379-0

Fax: +49 (0)4191 - 9537937

E-mail: info@heinemann-ent.de

Web: www.heinemann-ent.de



Visit our

website:

www.heinemann-ent.de

HEINEMANN
MEDIZINTECHNIK